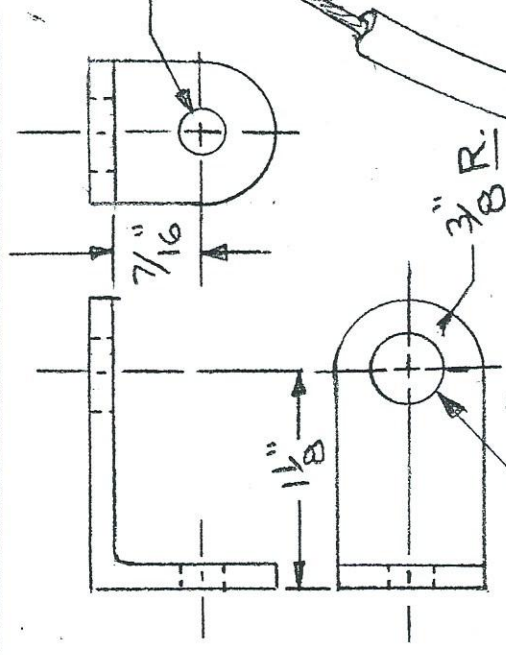
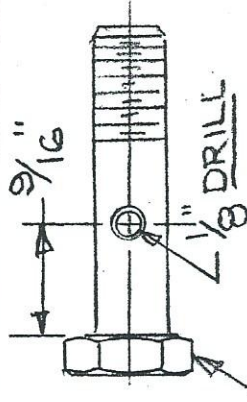


BRAKE INSTALLATION



CABLE GUIDE BRKT.

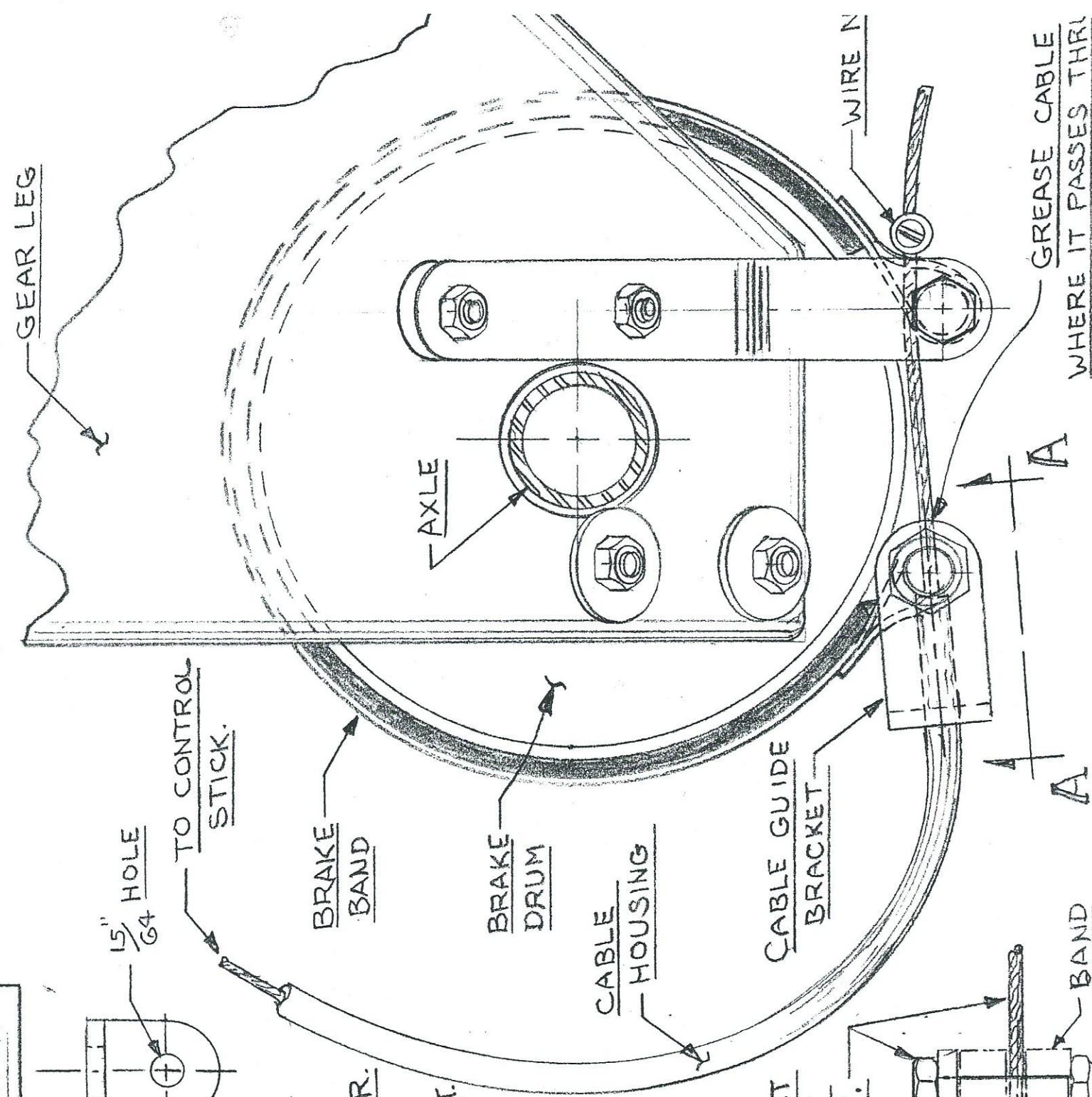
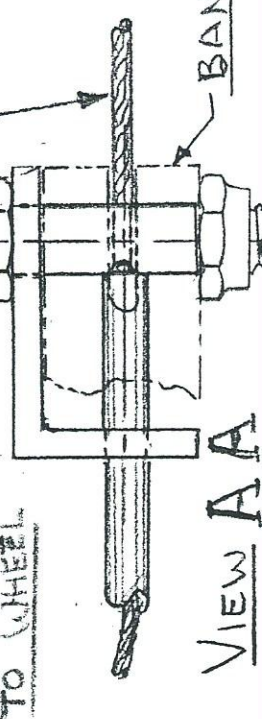
(2) REQ ALUM. ANGLE



ANG-14A BOLT (2)

LINE UP HOLE IN BOLT WITH CABLE. DO NOT OVER-TIGHTEN NUT.

BOLT HEAD NEXT TO WHEEL



TO CONTROL STICK.

VIEW A