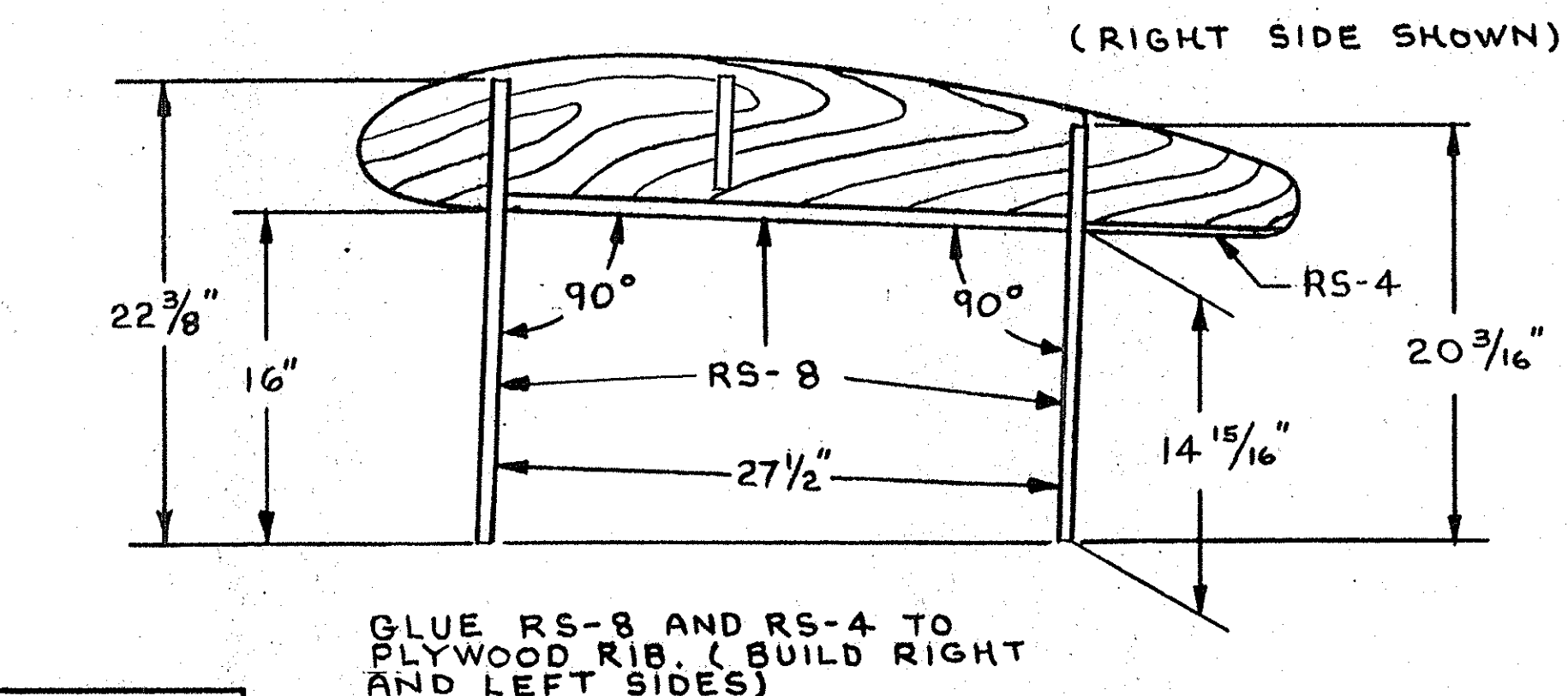


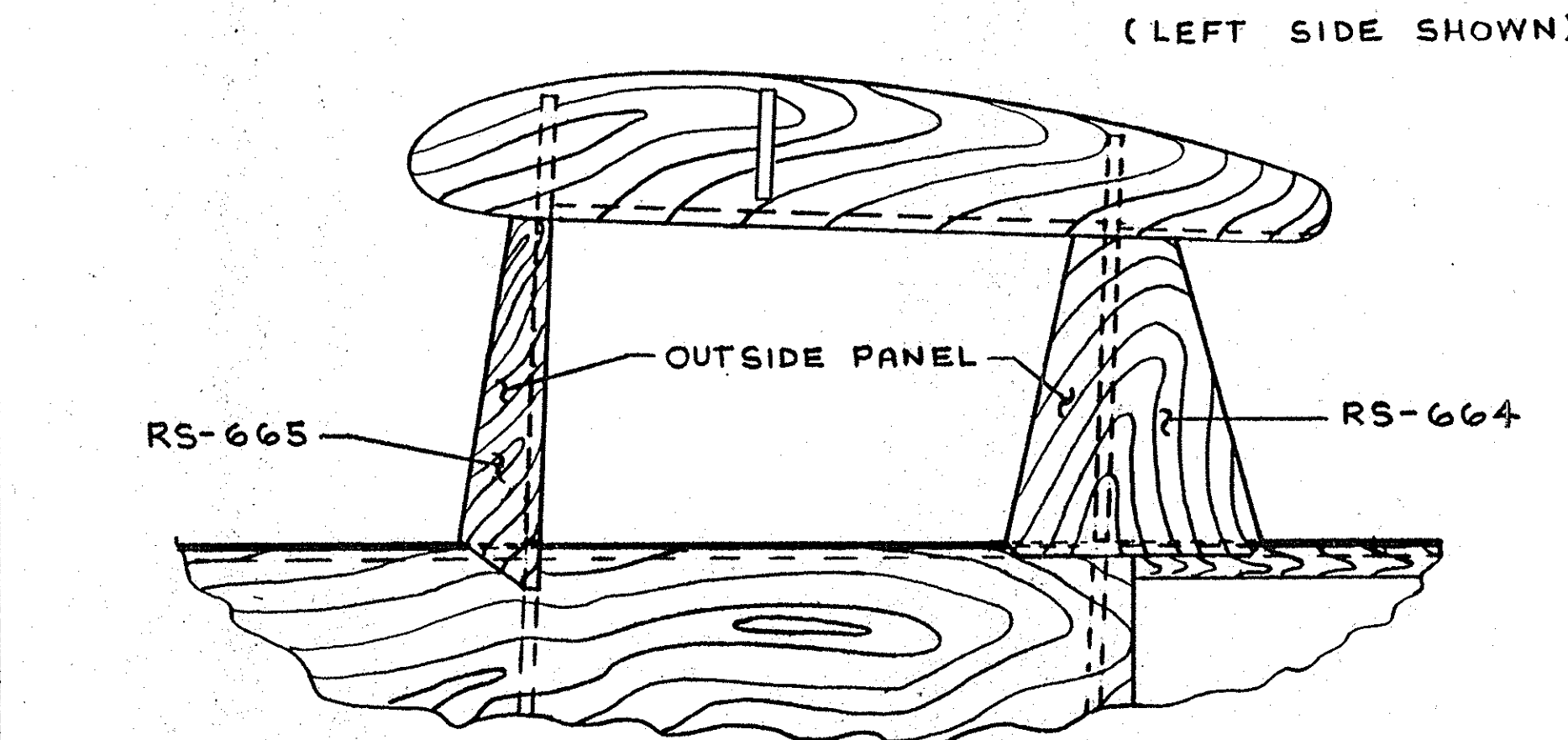
GLUE RS-8, F-1 AND F-1A DOUBLER WHERE SHOWN (SEE DWG. NO. 10 FOR PATTERNS). SEE STEP 2 FOR TOP VIEW. GLUE RS-10 BLOCK WHERE SHOWN (SEE STEP 9 FOR DETAIL).

STEP 1



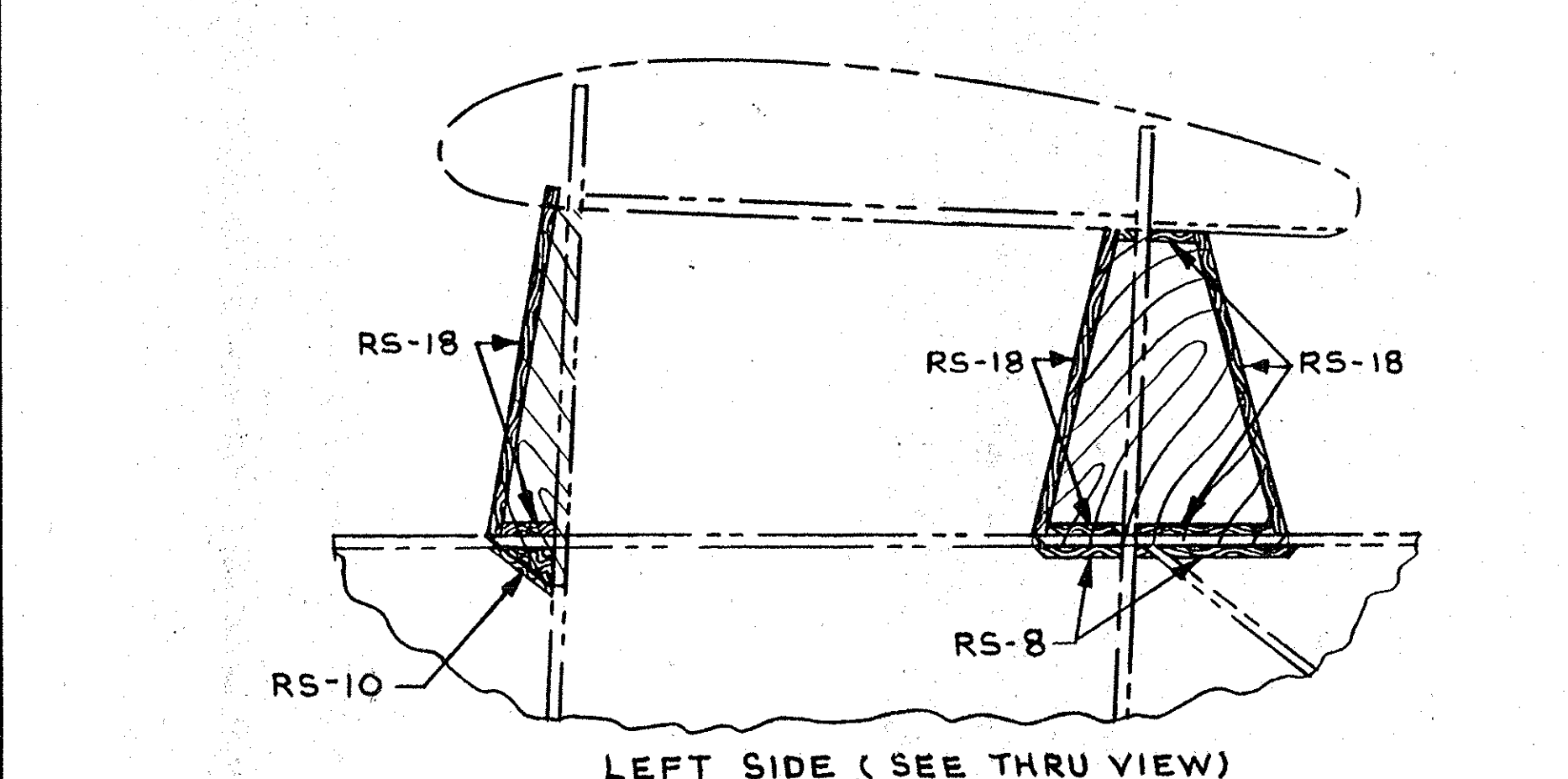
GLUE RS-8 AND RS-4 TO PLYWOOD RIB. (BUILD RIGHT AND LEFT SIDES)

STEP 4



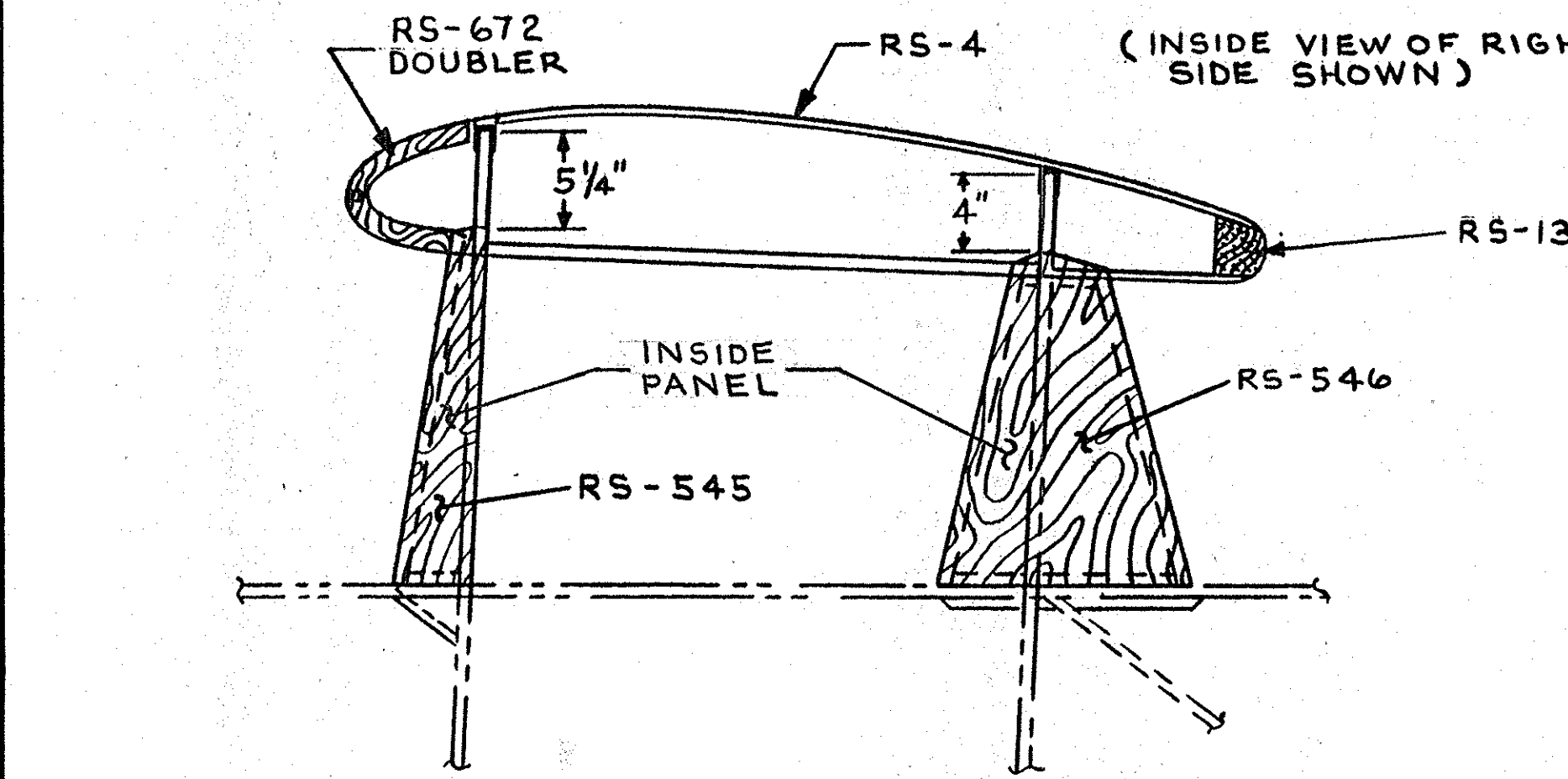
CUT OUTSIDE PANELS FROM RS-664, RS-665 AND GLUE TO FUSELAGE, RIB AND RS-8 (SEE DWG. NO. 9 FOR PANEL SIZE).

STEP 5



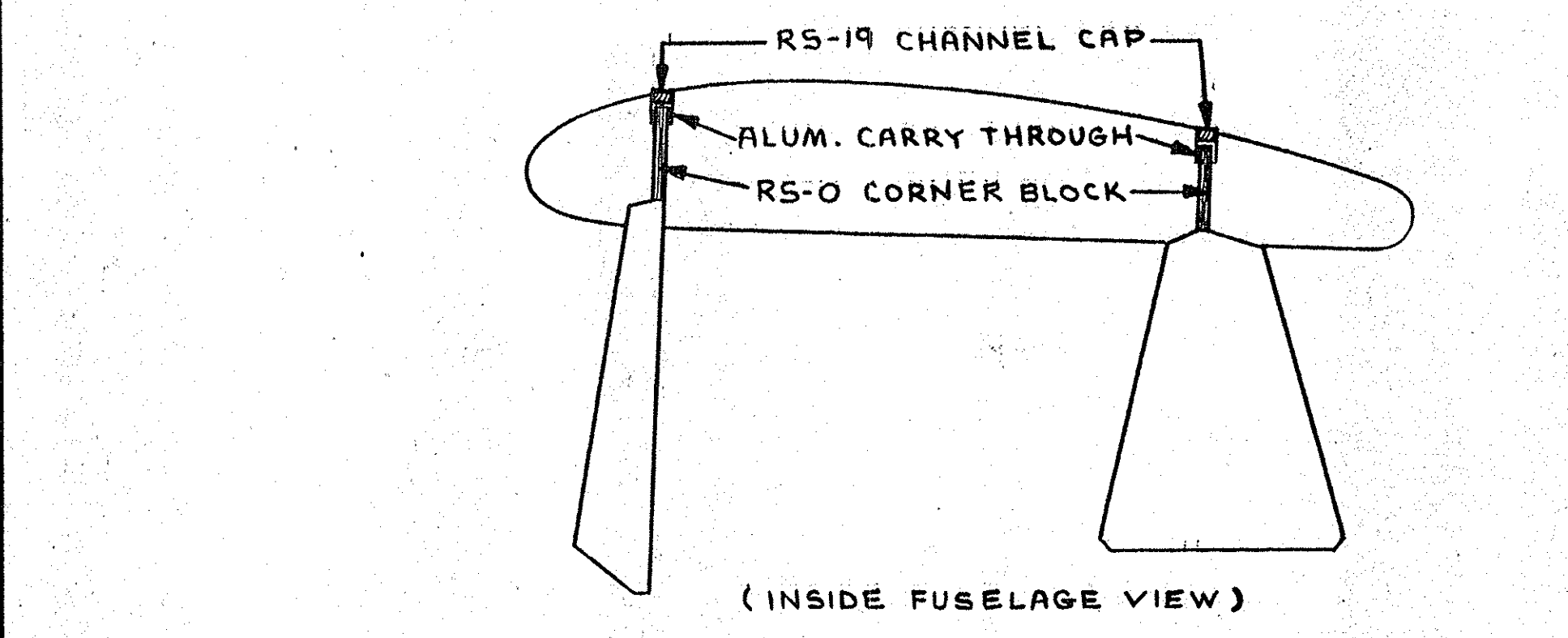
GLUE INSIDE WOOD MEMBERS WHERE SHOWN (SEE FULL SIZE DETAILS ON DWG. NO. 9).

STEP 6

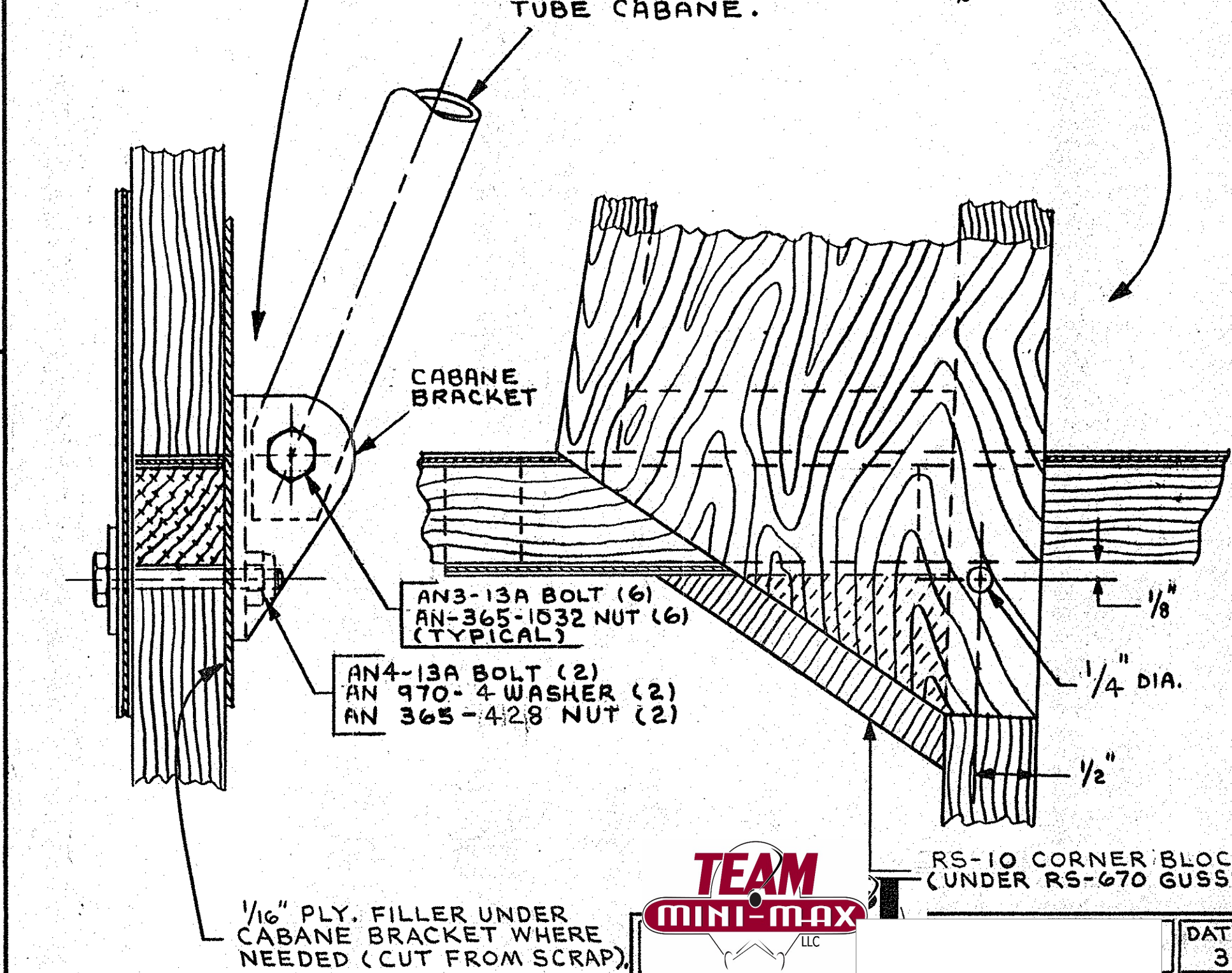
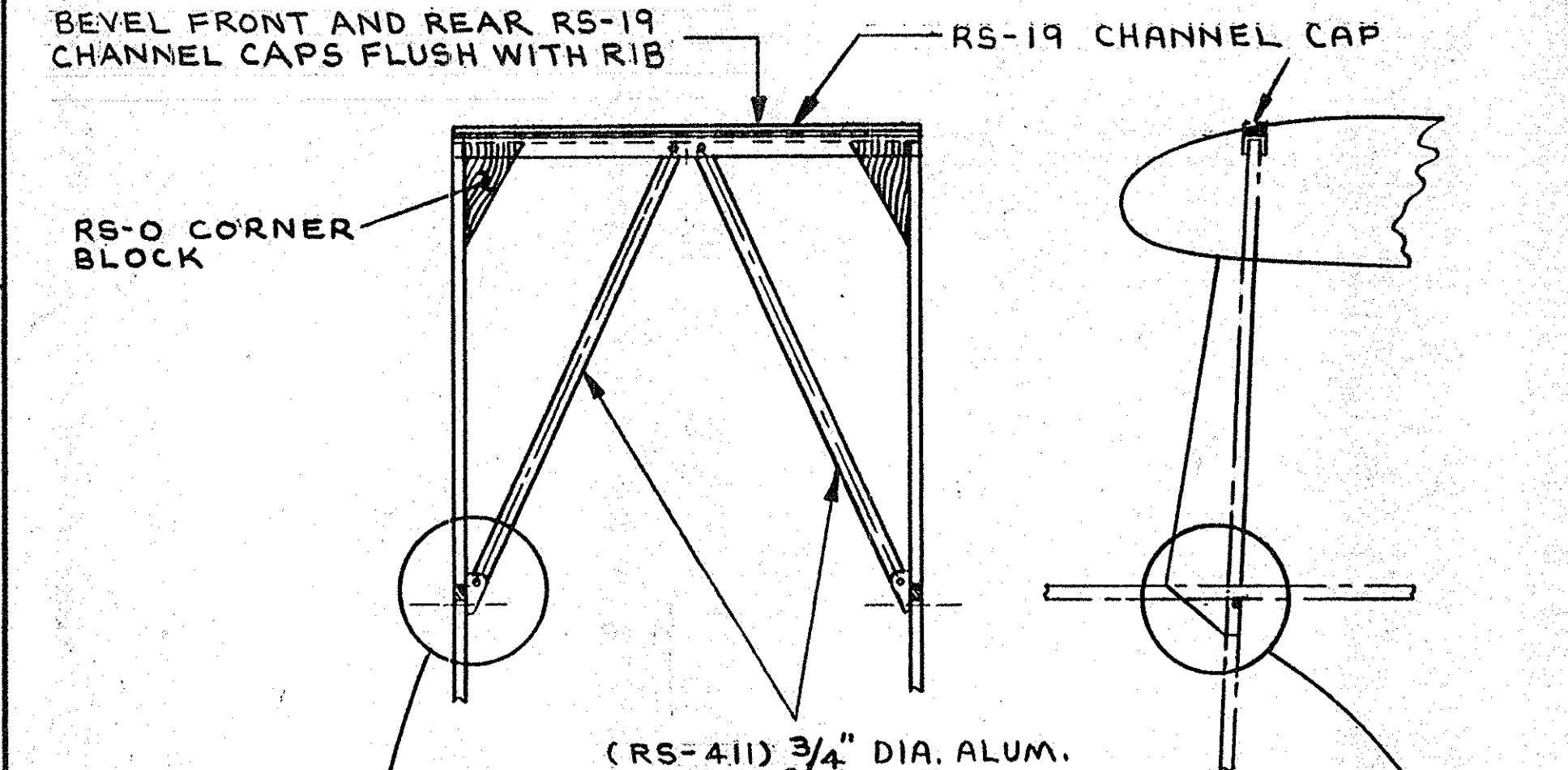


GLUE RS-672, RS-4, RS-13, RS-545 AND RS-546 AS SHOWN (SEE DWG. NO. 9).

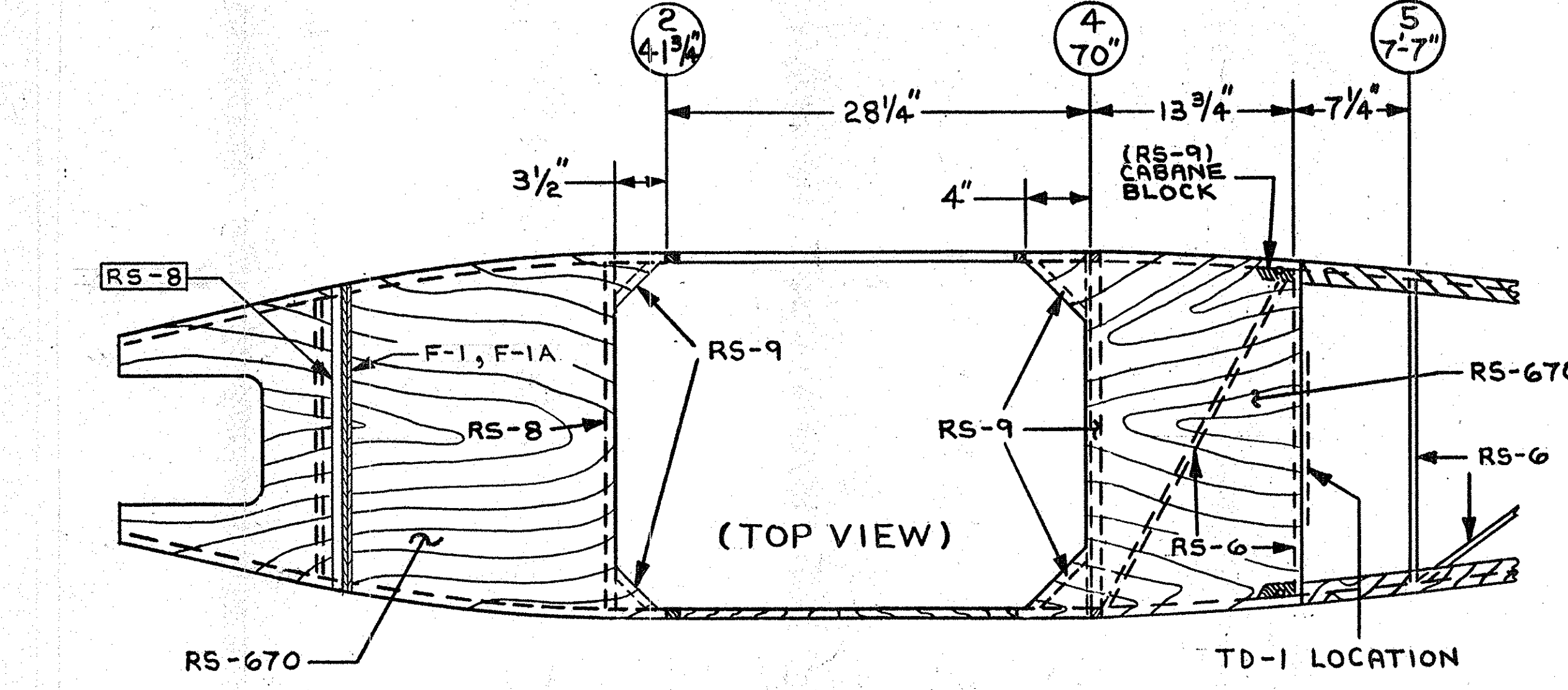
STEP 7



STEP 8

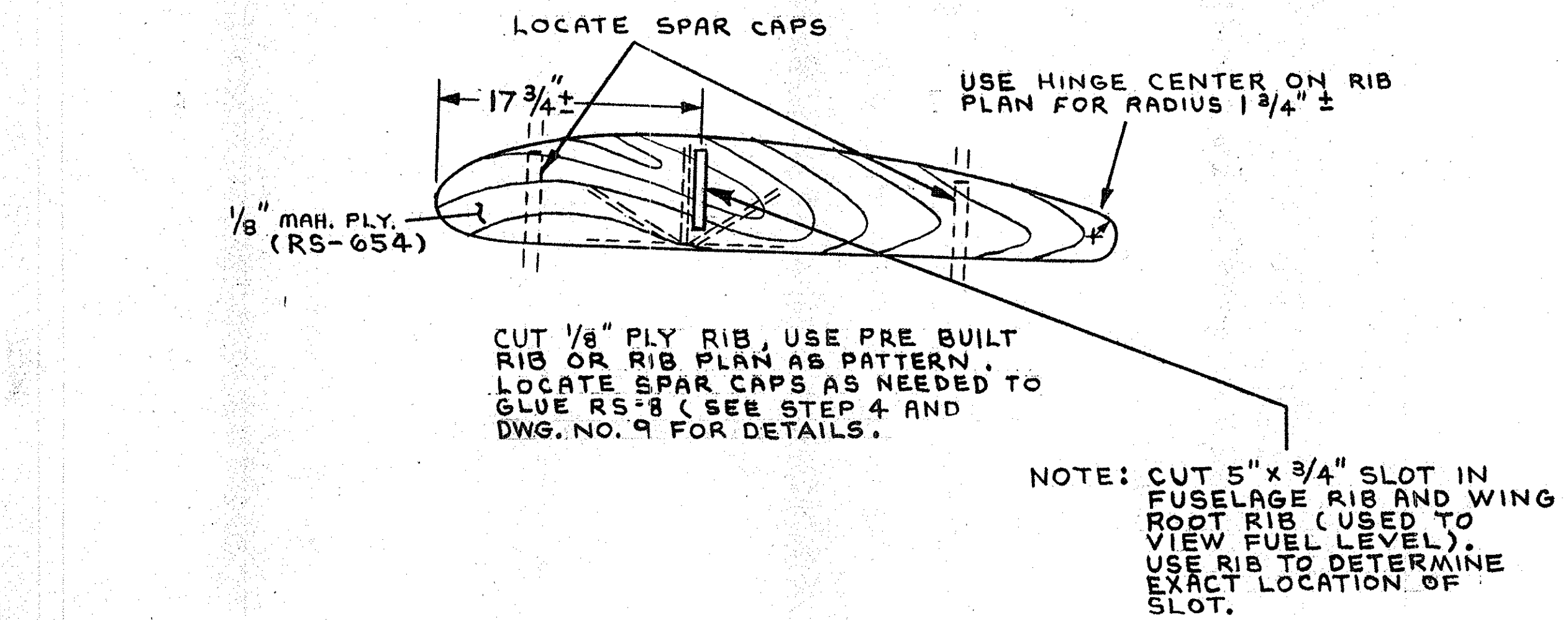


STEP 9



USE STATIONS 2 AND 4 AS REFERENCE TO VERIFY ALL MEMBER LOCATIONS, SEE DWG. NO. 9 FOR DETAILS.

STEP 2



STEP 3

TEAM MINI-MAX LLC

DATE: 3-17-92

SCALE:

MODEL NO. 1700

DWG. TITLE: FUSELAGE CONST.

1992

DWG. No.: 7