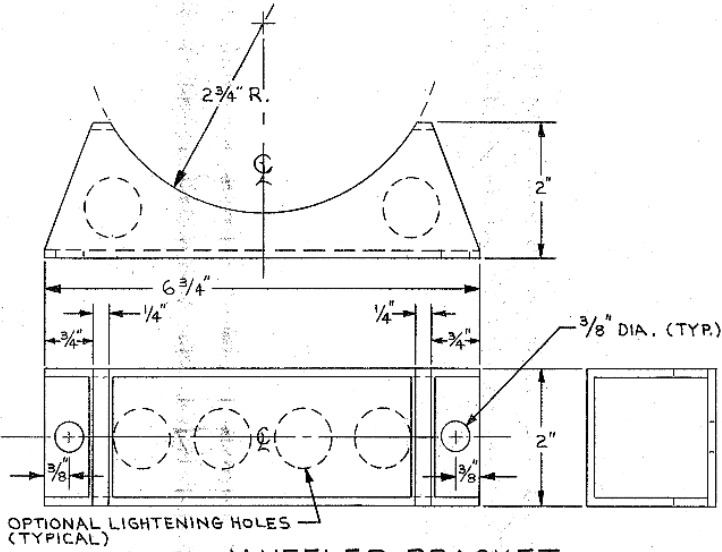
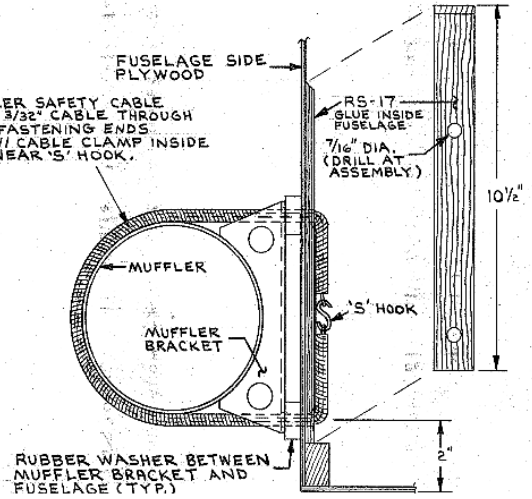


ISOLATER BAR (2) REQUIRED
 RS-10201, 3/8"x1 1/2", 2024-T4 ALUM. BAR

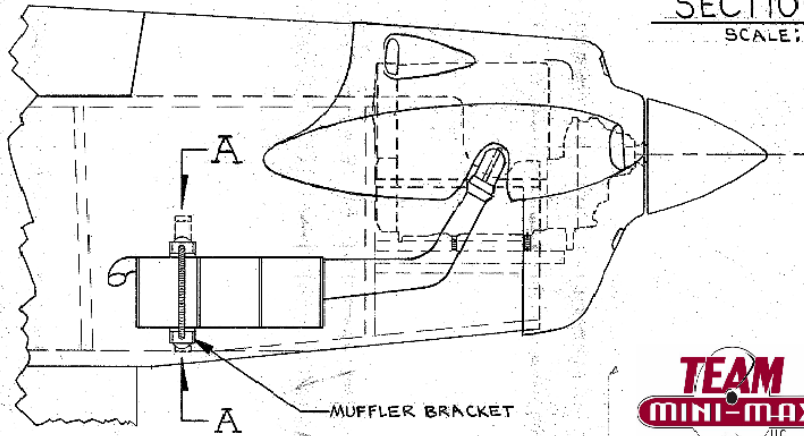


MUFFLER BRACKET (FOR EROS)
 RS-41502, (1) REQ'D. (SEE A-A)

NOTE: MAKE MUFFLER SAFETY CABLE BY RUNNING 3/32" CABLE THROUGH SPRING AND FASTENING ENDS TOGETHER W/ CABLE CLAMP INSIDE FUSELAGE NEAR S' HOOK.



SECTION A-A
 SCALE: 1/2" = 1"



MUFFLER INSTALLATION
 SCALE: 3/16" = 1"



DATE: 6-9
SCALE:
MODEL NO. 1650R
DWG. TITLE: Muffler Mount AD
DWG. NO.: 2