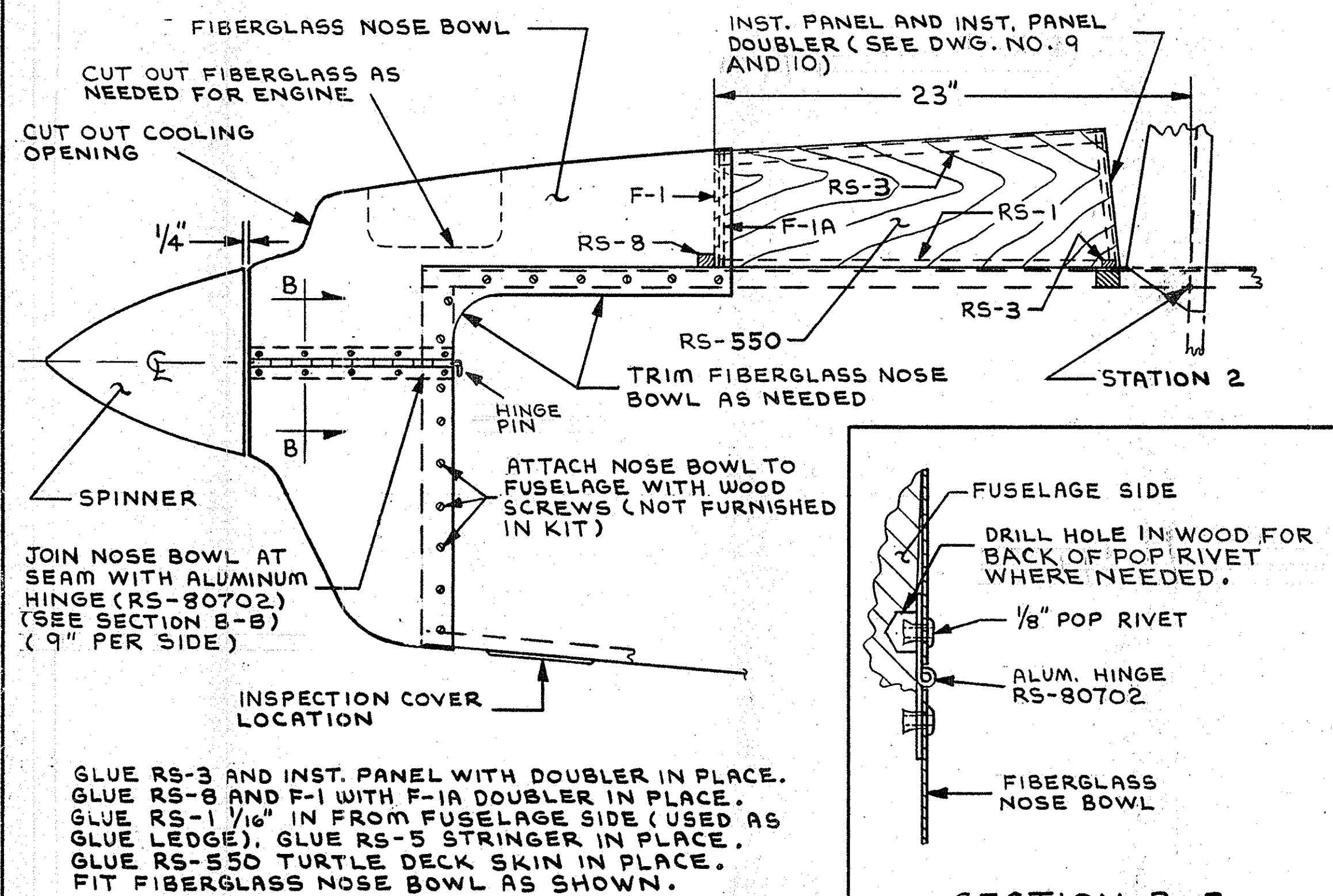


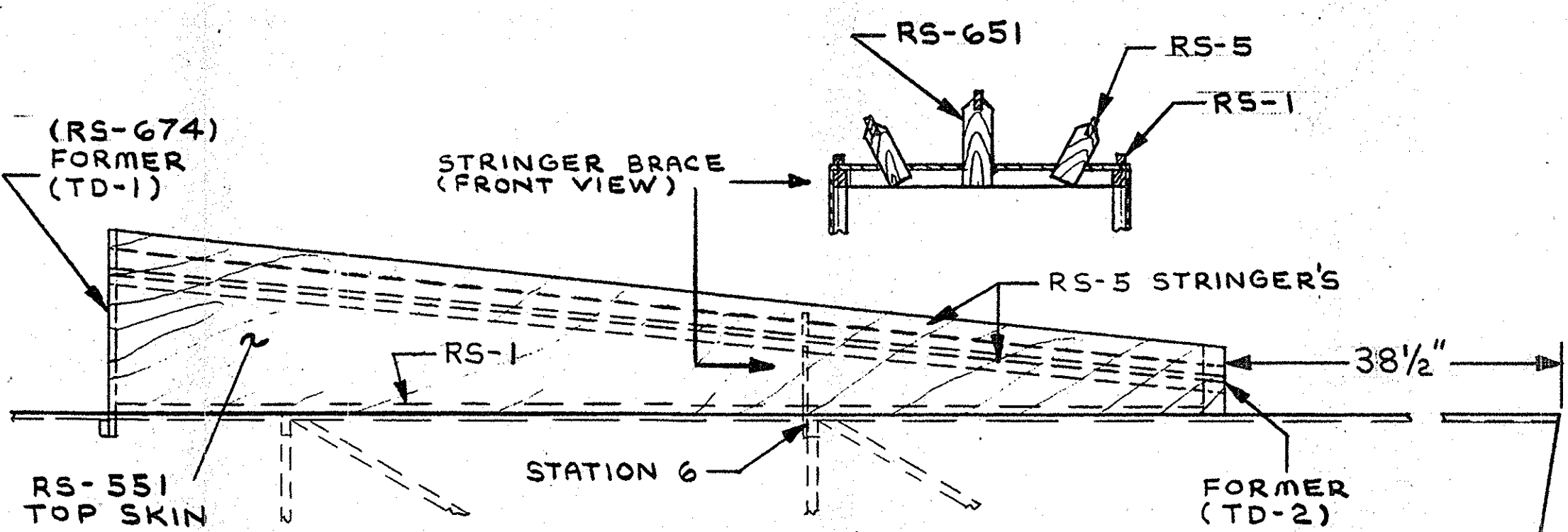
STAPLE RS-4 TO FRONT OF ROOF SKIN (TEMPORARY, TO HOLD SKIN STRAIGHT WHILE GLUING). GLUE SKIN WHERE SHOWN. DO NOT CUT SKIN UNTILL AFTER FITTING WINDSHIELD'S.

STEP 10



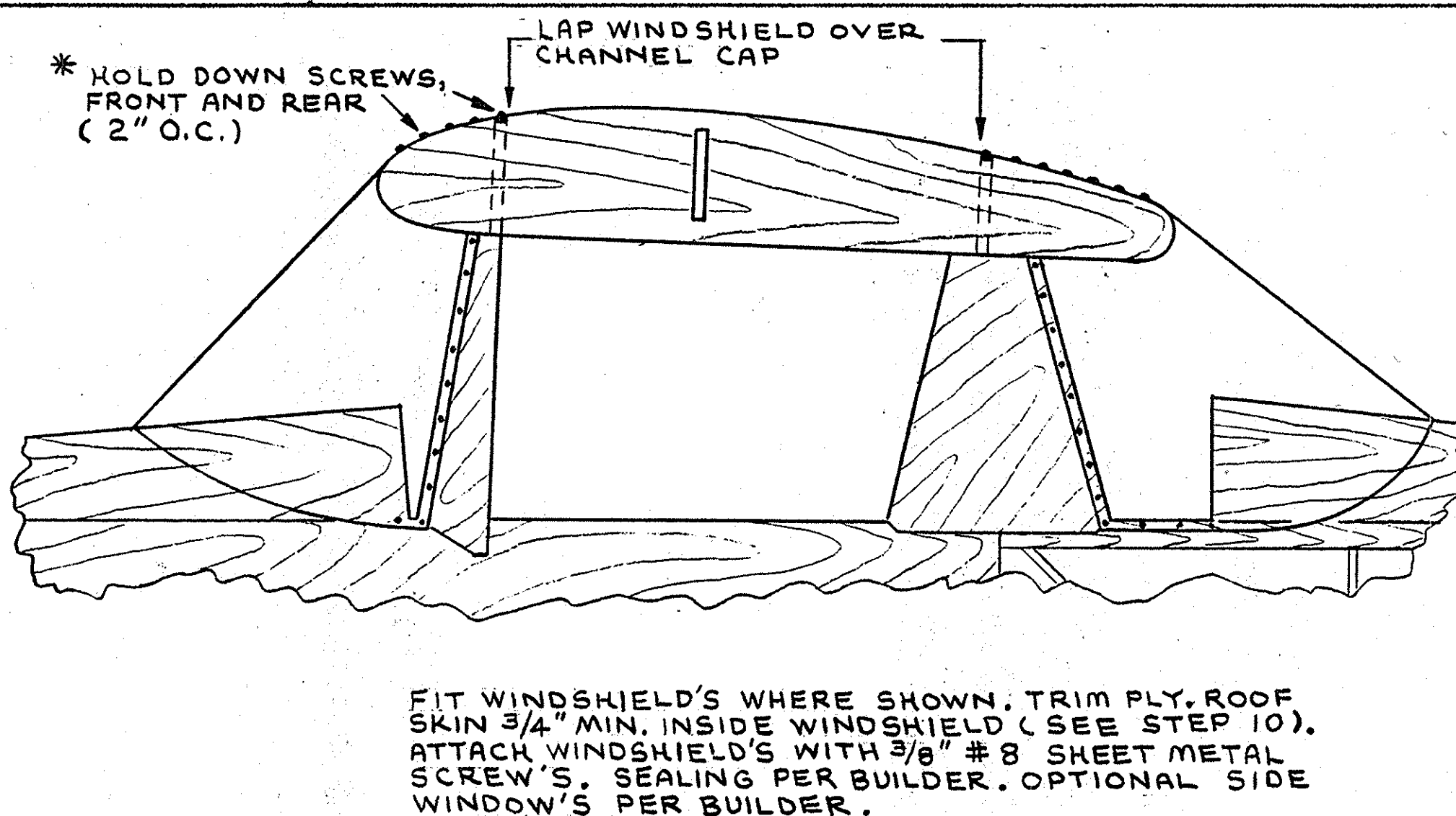
GLUE RS-3 AND INST. PANEL WITH DOUBLER IN PLACE. GLUE RS-8 AND F-1 WITH F-1A DOUBLER IN PLACE. GLUE RS-1 1/16" IN FROM FUSELAGE SIDE (USED AS GLUE LEDGE). GLUE RS-5 STRINGER IN PLACE. GLUE RS-550 TURTLE DECK SKIN IN PLACE. FIT FIBERGLASS NOSE BOWL AS SHOWN.

STEP 11



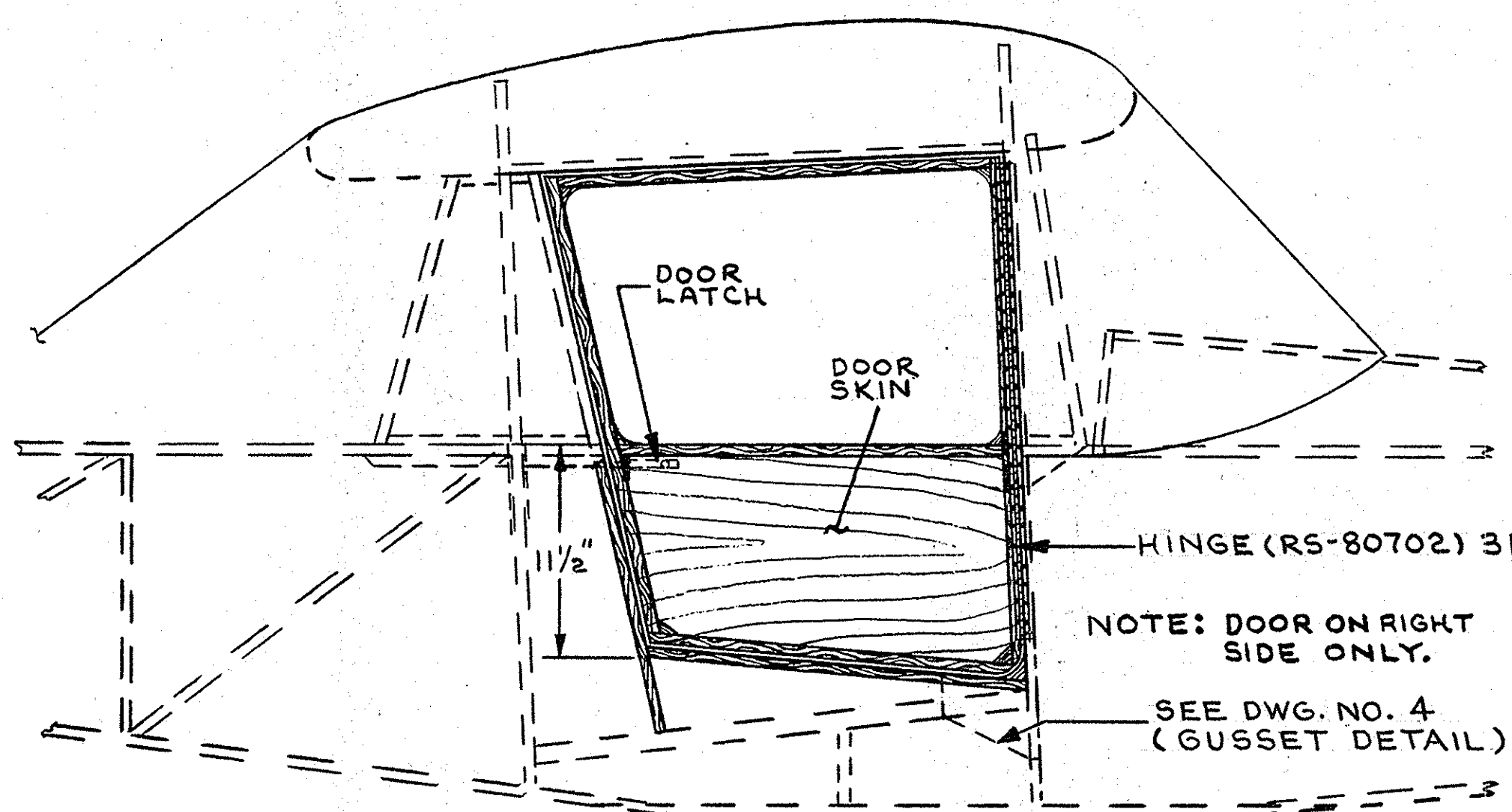
GLUE TD-1 AND TD-2 FORMERS. GLUE RS-1 TO TOP OF FUSELAGE, LEAVE 1/16" LIP FOR PLY. GLUE (RS-5) STRINGERS AND GLUE 1/8" MAH. BRACES. SEE DRAWING NO. 10 FOR PATTERN'S. SEE DWG. NO. 7 STEP 2 FOR TD-1 LOCATION. LOCATE TD-2 38 1/2" FROM FUSELAGE STERN. GLUE TOP SKIN (RS-551).

STEP 12



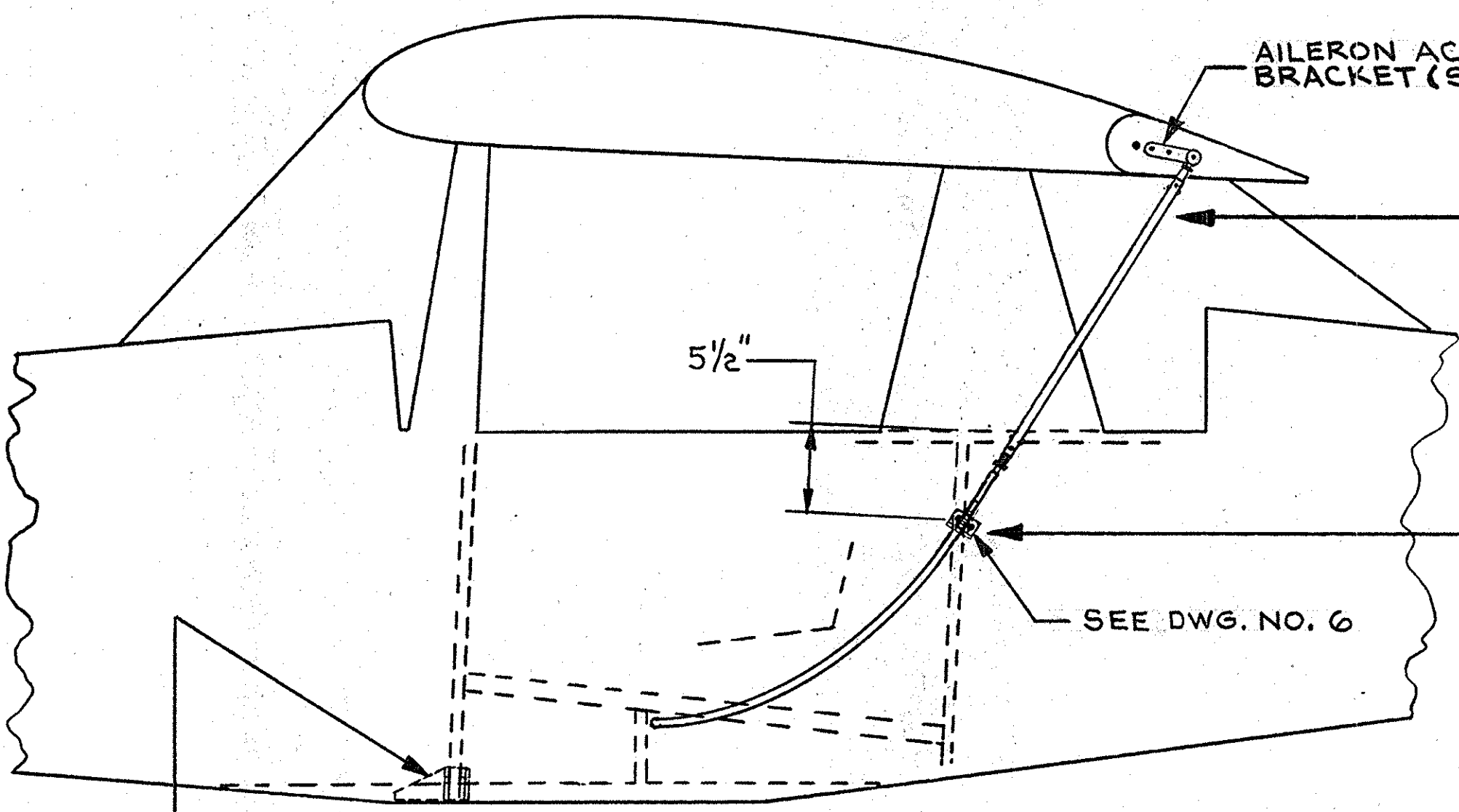
FIT WINDSHIELD'S WHERE SHOWN. TRIM PLY. ROOF SKIN 3/4" MIN. INSIDE WINDSHIELD (SEE STEP 10). ATTACH WINDSHIELD'S WITH 3/8" #8 SHEET METAL SCREWS. SEALING PER BUILDER. OPTIONAL SIDE WINDOW'S PER BUILDER.

STEP 13



LOCATE AND CUT DOOR OPENING. GLUE IN RS-18 DOOR FRAME MEMBERS AND RS-10 CORNER BLOCK (SEE DWG. NO. 4). BUILD DOOR FROM (RS-18). CORNER BLOCKS MADE FROM RS-10 SCRAP. COVER OUTSIDE BOTTOM OF DOOR WITH 1/8" PLY. (RS-663). INSTALL DOOR HINGE (RS-80702) WITH SHEET METAL SCREWS (3/8" #8) @ 2" O.C. MAKE AND INSTALL LATCH (SEE STEP 16). DOOR HINGE ATTACHMENT SCREWS NOT FURNISHED IN KIT.

STEP 14

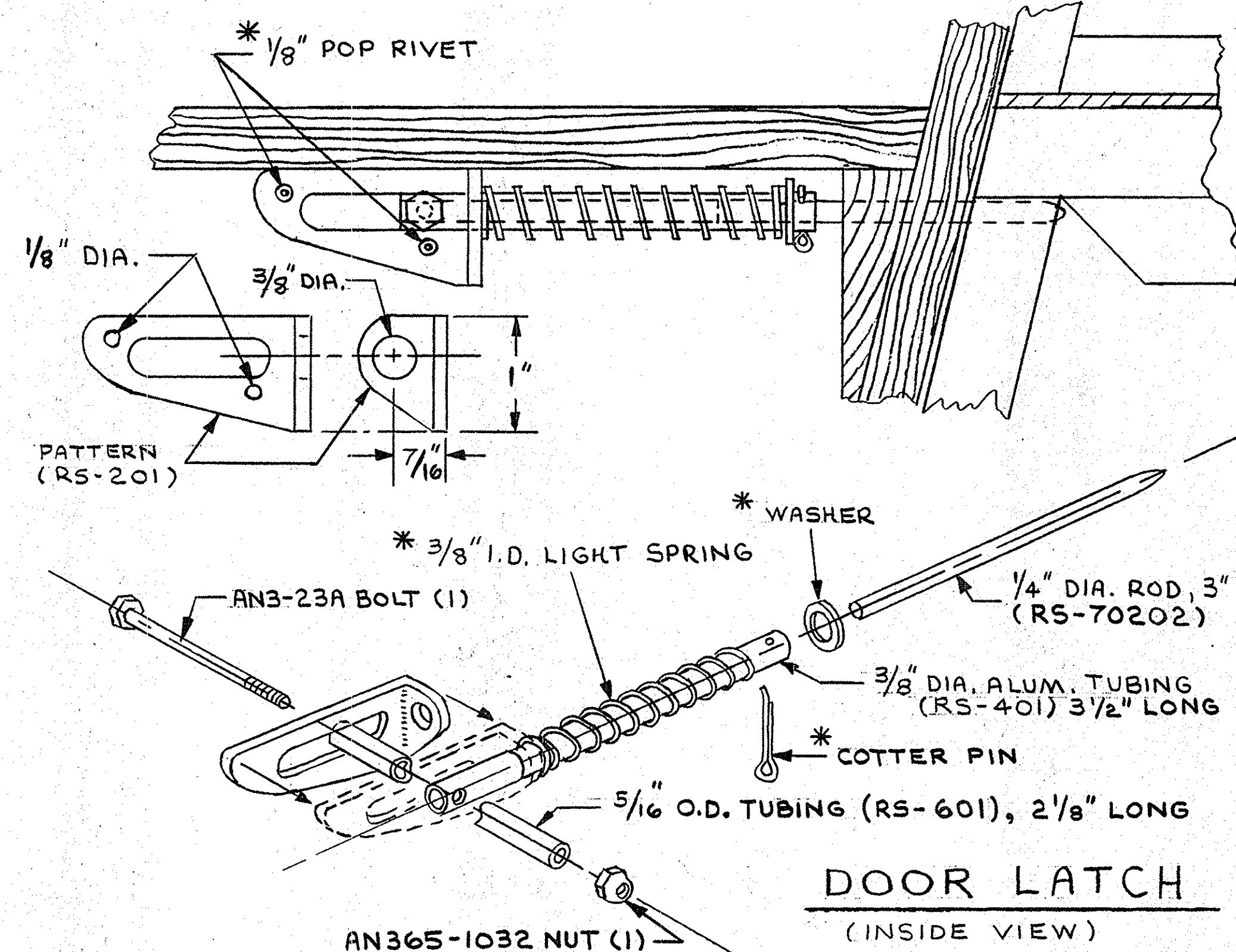


NOTE: STRUT BRACKET AND CARRY THROUGH BRACKET LOCATION (SEE DWG. NO. 10, CARRY THROUGH DETAIL).

AILERON CONNECTION DETAIL

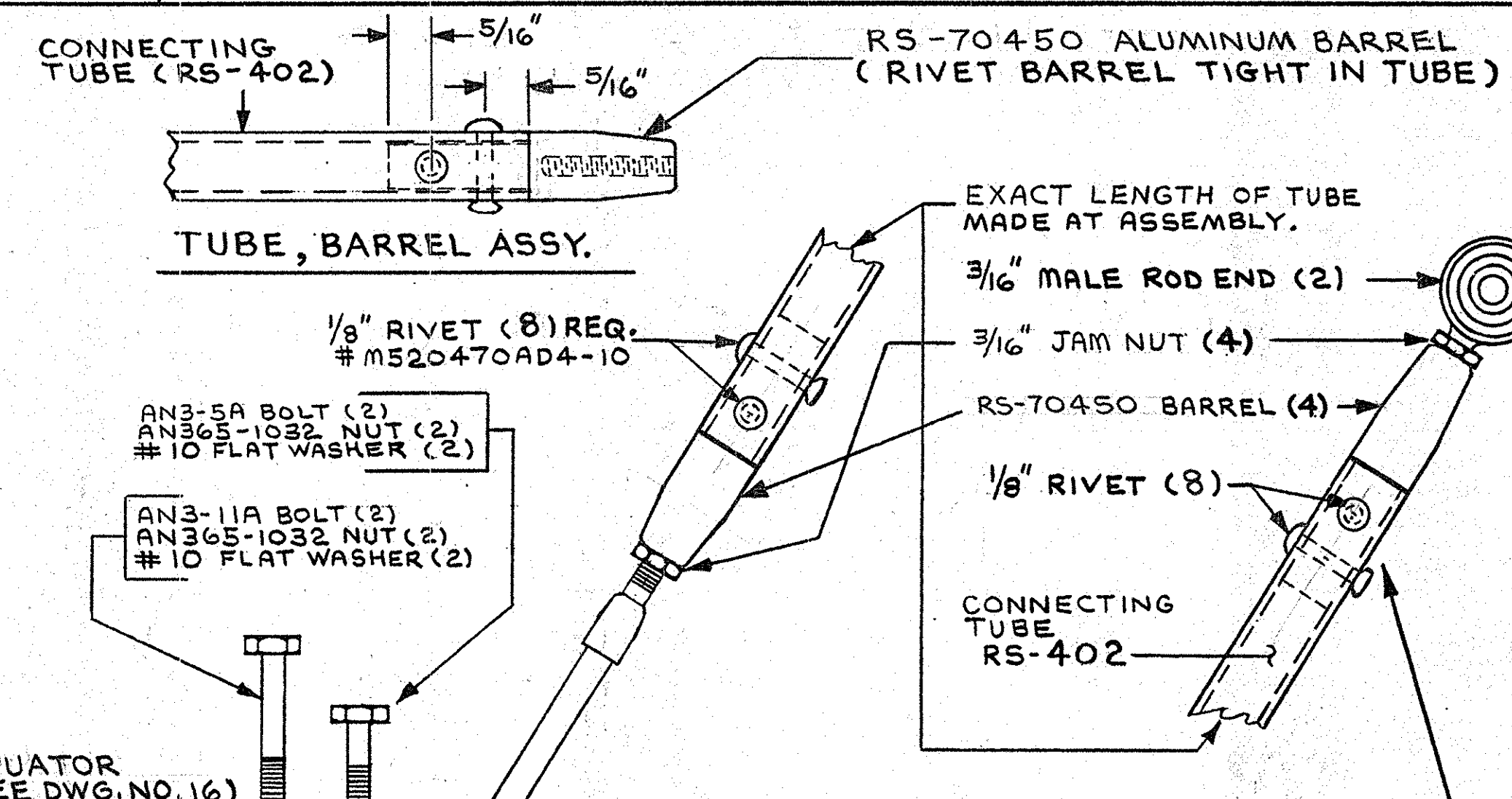
STEP 15

NOTE: * INDICATES THAT ITEM IS NOT SUPPLIED WITH KIT.

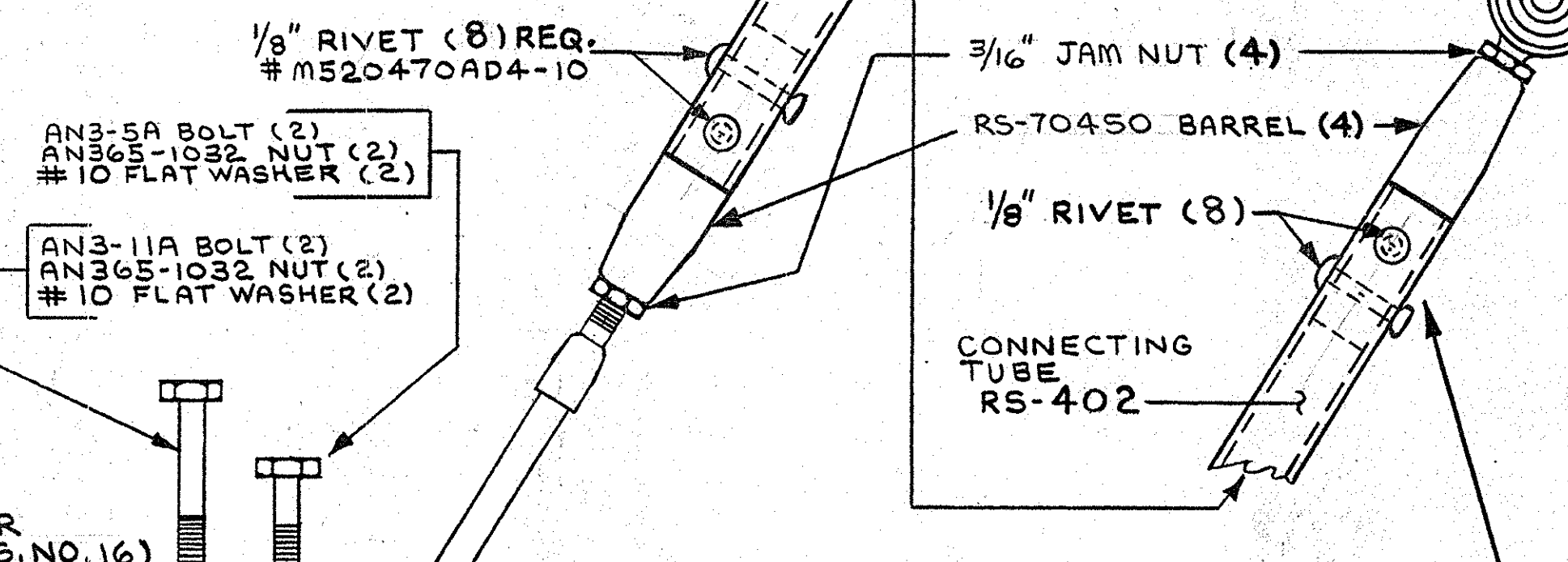


DOOR LATCH (INSIDE VIEW)

STEP 16



TUBE, BARREL ASSY.



AILERON CABLE BRACKET RS-200, SCALE - 1" = 1"

TEAM MINIMAX LLC 1992

DATE: 3-17-92

MODEL NO. 1700

DWG. TITLE: FUSELAGE CONST. DWG. NO.: 8